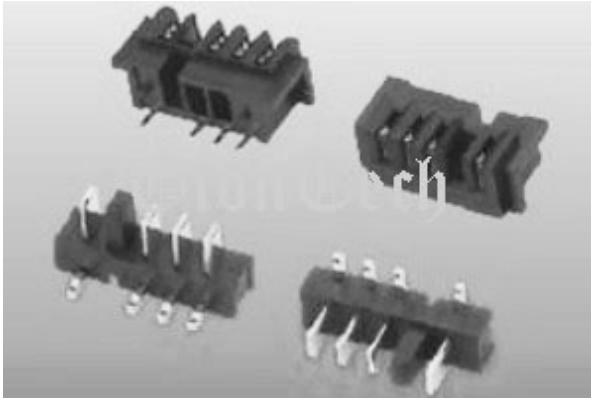


BC2.5D Series Battery Connector:

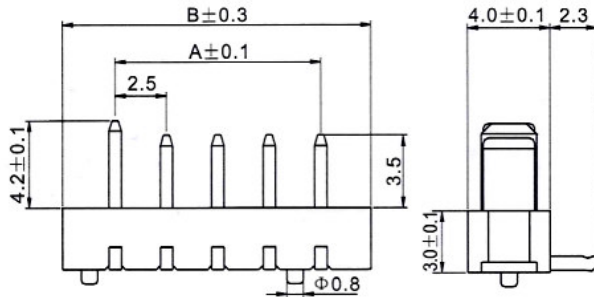


SPECIFICATIONS

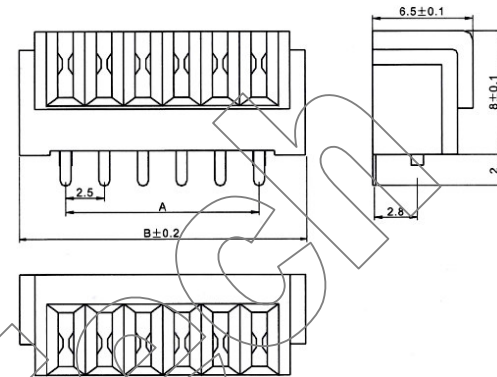
Pitch:	2.5 mm
Number of contacts:	3 to 12 pins
Current Rating:	5A, AC, DC
Voltage Rating:	250V, AC, DC
Operating Temperature:	-40 °C ~+85 °C
Relative Humidity:	93%, +40 °C
Dielectric Withstanding:	1000V AC/minute
Contact Resistance:	≤ 20 mΩ/Contact
Insulator Resistance:	≥ 500 MΩ at 100V
Material:	
Base:	PBT/Nylon6T, UL94V-0
Contact Pin:	Phosphor Bronze

ROHS Compliance

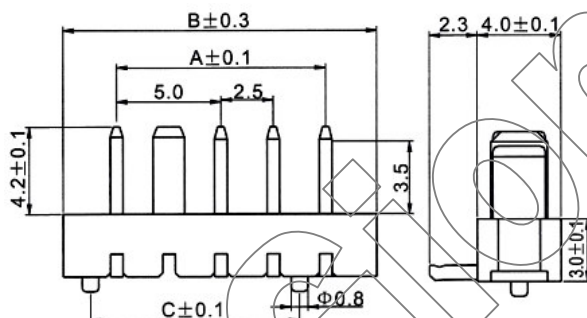
BC2.5D-XAWD



BC2.5D-XP



BC2.5D-1-XAWD



BC2.5D-1-XP

